

Ralphs-Pugh Roller Component Parts

Ralphs-Pugh roller components are custom molded or fabricated at our facility insuring the highest quality possible. With complete control of design and a long-term commitment to the material handling industry, these products will enhance your roller performance. All materials are FDA approved to meet today's stringent requirements. Unique two-piece bushing/endplug combinations allow for economical replacement of bushings rather than replacing the entire endplug. **We also custom manufacture for special requirements.**

Bushings

Materials:

- Acetal Plastic: "Ultra Blue" Acetal plastic with Teflon additives *Our best material*
- Acetal Plastic: Light blue color - Standard unless otherwise specified.
- Ultra High Molecular Weight Plastic (UHMW)

Styles Available:

- Standard Duty: Thru Hole and Blind Hole
- Heavy Duty: Thru Hole and Blind Hole
- Heavy Duty Grading and Inspection (GIR): Blind Hole

Features:

- Self lubricating
- Replaceable
- Lead chamfer for easy installation

Endplugs

Materials:

- ABS Plastic

Features:

- Lead chamfer for easy installation
- Tight tolerances assuring proper fit
- Assured concentricity for true running rollers

Plastic Tubing

Materials:

- Standard White PVC
- "High Impact" White PVC with Impact modifiers for added shock resistance and Special Ultra Violet (UV) stabilizers
- Dark Gray in limited sizes

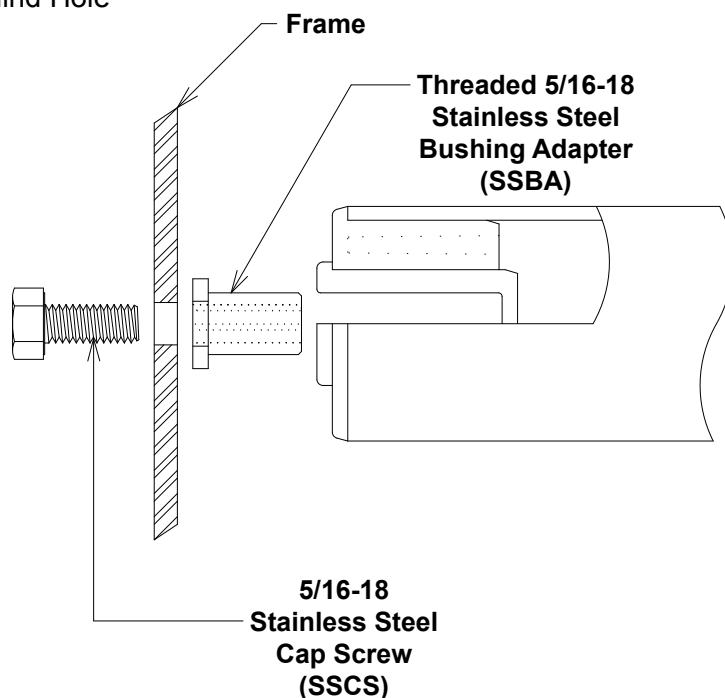
Features:

- Custom extruded for very tight tolerances assuring inside diameters

Hardware

Bushing Adapters and Cap Screws:

- 300 series stainless steel for long life and exceptional corrosion resistance. FDA approved for food industry.



Components for Metal Tubes

Plastic Endplugs

Part No.	Endplug Dimensions		Tube Dimensions			
	Flange O.D.	Body O.D.	O.D.	I.D.	Gauge	Wall
1-8P	1.320	0.963	1.315	0.957	SCH 80	0.179
1-4P	1.320	1.055	1.315	1.049	SCH 40	0.133
1 1/4 EMT	1.510	1.386	1.500	1.380	EMT	0.065
1 1/4 - 4P	1.660	1.386	1.660	1.380	SCH 40	0.140
1 1/4 - 8P	1.660	1.284	1.660	1.278	SCH 80	0.191
1 3/8 - 18	1.375	1.283	1.375	1.278	18	0.049
1 3/8 - 16	1.375	1.251	1.375	1.245	16	0.065
1 1/2 - 10	1.500	1.238	1.500	1.232	10	0.134
1 1/2 - 16	1.500	1.376	1.500	1.370	16	0.065
1 1/2 EMT	1.800	1.616	1.740	1.610	EMT	0.085
1 1/2 - 1P	1.900	1.688	1.900	1.682	SCH 10	0.109
1 1/2 - 4P	1.900	1.616	1.900	1.610	SCH 40	0.145
1 1/2 - 8P	1.900	1.506	1.900	1.500	SCH 80	0.200
1 5/8 - 16	1.625	1.501	1.625	1.495	16	0.065
1 3/4 - 16	1.750	1.627	1.750	1.620	16	0.065
1 3/4 - 14	1.750	1.590	1.750	1.584	14	0.083
1 7/8 - 16	1.875	1.751	1.875	1.745	16	0.065
2 - 18	2.000	1.908	2.000	1.902	18	0.049
2 - 16	2.000	1.876	2.000	1.870	16	0.065
2 - 14	2.000	1.840	2.000	1.834	14	0.083
2 - 13	2.000	1.816	2.000	1.810	13	0.095
2 - 11	2.000	1.766	2.000	1.760	11	0.120
2 - EMT	2.190	2.073	2.190	2.067	EMT	0.062
2 - 4P	2.375	2.073	2.375	2.067	SCH 40	0.154
2 - 8P	2.375	1.945	2.375	1.939	SCH 80	0.218
2 1/8 - 16	2.125	2.001	2.125	1.995	16	0.065
2 1/4 - 18	2.250	2.158	2.250	2.152	18	0.049
2 1/4 - 16	2.250	2.126	2.250	2.120	16	0.065
2 1/4 - 14	2.250	2.090	2.250	2.084	14	0.083
2 1/4 - 13	2.250	2.066	2.250	2.060	13	0.095
2 1/4 - 11	2.250	2.016	2.250	2.010	11	0.120
2 3/8 - 16	2.375	2.251	2.375	2.245	16	0.065
2 3/8 - 11	2.375	2.141	2.375	2.135	11	0.120
2 1/2 - 4P	2.875	2.475	2.875	2.469	SCH 40	0.203
2 1/2 - 8P	2.875	2.329	2.875	2.323	SCH 80	0.276
2 1/2 - 16	2.500	2.376	2.500	2.370	16	0.065
2 1/2 - 14	2.500	2.340	2.500	2.334	14	0.083
2 1/2 - 13	2.500	2.316	2.500	2.310	13	0.095
2 1/2 - 11	2.500	2.266	2.500	2.260	11	0.120
2 1/2 - 10	2.500	2.238	2.500	2.232	10	0.134
2 3/4 - 16	2.750	2.626	2.750	2.620	16	0.065
2 3/4 - 14	2.750	2.590	2.750	2.584	14	0.083
2 3/4 - 13	2.750	2.566	2.750	2.560	13	0.095
2 3/4 - 11	2.750	2.516	2.750	2.510	11	0.120
3 - 18	3.000	2.908	3.000	2.902	18	0.049
3 - 16	3.000	2.876	3.000	2.870	16	0.065
3 - 14	3.000	2.840	3.000	2.834	14	0.083



2 Piece Endplug / Bushing combination for press fit into metal tube



*** For Custom Endplugs
- See engineering
drawings section -
CUSTOM ENDPLUG ***

Components for Metal Tubes

Heavy Duty Bushings

Thru Hole Part No.	Blind Hole Part No.	Inside Diameter	GIR Blind Hole	Inside Diameter
1/4-5T**	1/4-5B**	0.270	--	--
5/16-5T**	5/16-5B**	0.332	--	--
3/8-5T	3/8-5B	0.395	--	--
7/16-5T	7/16-5B	0.457	7/16-5B GIR	0.467
1/2-5T	1/2-5B	0.520	1/2-5B GIR	0.530
9/16-5T	9/16-5B	0.582	9/16-5B GIR	0.592
5/8-5T	5/8-5B	0.645	5/8-5B GIR	0.655
3/4-5T	3/4-5B	0.770	3/4-5B GIR	0.780

Material: Standard: Molded Acetal ** UHMW Only
 Optional: Molded "Ultra Blue" Acetal Plastic Teflon Additives
 UHMW

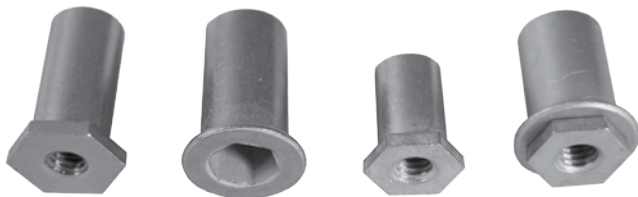
Flange: 1/8" **O.D.** .881" **Length:** 1 1/2" **GIR Length:** 1 3/4"



Heavy Duty Bushings

Bushing Adapters

Part No.	Material	Body O.D.	Body Length	Flange	I.D.
SSBA 1/2x7/8	Stainless	1/2"	3/4"	1/8"	D & T 5/16-18
SSBA 9/16x1 1/4	Stainless	9/16"	1 1/8"	1/8"	D & T 5/16-18
SSBA 5/8x1 1/8	Stainless	5/8"	15/16"	3/16"	D & T 5/16-18
7/16 HEX-T	Stainless or Plastic	5/8"	1 1/8"	1/16"	7/16" Hex



Bushing Adapters

Cap Screws

Part No.	Material	Length	Threaded
SSCS 5/16x3/4	Stainless	3/4"	5/16-18



Cap Screws

Components for Plastic Tubes

*** Commercial plastic tubing may require boring for proper fit and concentricity ***

Standard Duty Endplugs

Part No.	Flange O.D.	Body O.D.	Pipe Size
20	1.315	1.049	1" SCH 40
40	1.900	1.605	1 1/2" SCH 40
41	1.900	1.675	RPCO Tube #41

Standard Duty Bushings

Thru Hole: 1/4-T, 3/8-T, 1/2-T, 5/16-T, 7/16-T

Blind Hole: 3/8-B, 1/2-B

Endplug Material: Gray ABS

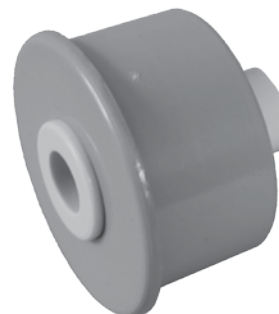
Bushing Material: Standard: Light blue Acetal

* UHMW - Upon Request

Length: Standard: 7/8"

Combined Flange Thickness: 1/4"

Other sizes available upon request



2 Piece Endplug / Bushing combination for press fit or glue into plastic tube

Heavy Duty Endplugs

Part No.	Flange O.D.	Body O.D.	Pipe Size
405	1.900	1.605	1 1/2" SCH 40
415	1.900	1.675	RPCO Tube #41
455	1.900	1.500	1 1/2" SCH 80
505	2.375	2.058	2" SCH 40
515	2.375	2.125	RPCO Tube #51
555	2.375	1.930	2" SCH 80
605	2.875	2.470	2 1/2" SCH 40
615	2.875	2.565	RPCO Tube #61
655	2.875	2.320	2 1/2" SCH 80
705	3.500	3.068	3" SCH 40
755	3.500	2.900	3" SCH 80
805	4.500	4.026	4" SCH 40
855	4.500	3.821	4" SCH 80



2 Piece Endplug / Bushing combination for press fit or glue into plastic tube

Heavy Duty Bushings

Thru Hole: 1/4-5T*, 5/16-5T*, 3/8-5T, 7/16-5T, 1/2-5T, 9/16-5T, 5/8-5T, 3/4-5T

Blind Hole: 1/4-5B*, 5/16-5B*, 3/8-5B, 7/16-5B, 1/2-5B, 9/16-5B, 5/8-5B, 3/4-5B

Endplug Material: Gray ABS

Bushing Material: Standard: Light Blue Acetal Optional: Molded "Ultra Blue" Acetal with Teflon additive

* UHMW only

Length: Standard: 1 1/2"

Combined Flange Thickness: 1/4"

Other sizes available upon request

PVC Tubing – Idler

Part No.	O.D. x Wall	Length	Lbs. Per Lineal Ft.
41-12	1.900 x .112	12	0.400
45-12	1.900 x .200	12	0.664
51-12	2.375 x .125	12	0.558
55-14	2.375 x .218	14	0.918
61-12	2.875 x .150	12	0.806
65-12	2.875 x .276	12	1.400
75-10	3.500 x .300	10	1.877

*** For Custom Endplugs - See engineering drawings section - CUSTOM ENDPLUG ***

Components for Plastic Tubes

Standard Duty Bushings

Thru Hole Part No.	Blind Hole Part No.	Inside Diameter
1/4-T	--	0.265
5/16-T	--	0.327
3/8-T	3/8-B	0.390
7/16-T	--	0.452
1/2-T	1/2-B	0.515

Material: Standard - Molded Acetal
 Optional - Molded "Ultra Blue" Acetal plastic with Teflon additives



Heavy Duty Bushings

Flange: 1/8" **O.D.:** 0.756" **Length:** 7/8"

Heavy Duty Bushings

Thru Hole Part No.	Blind Hole Part No.	Inside Diameter	GIR Blind Hole	Inside Diameter
1/4-5T**	1/4-5B**	0.270	--	--
5/16-5T**	5/16-5B**	0.332	--	--
3/8-5T	3/8-5B	0.395	--	--
7/16-5T	7/16-5B	0.457	7/16-5B GIR	0.467
1/2-5T	1/2-5B	0.520	1/2-5B GIR	0.530
9/16-5T	9/16-5B	0.582	9/16-5B GIR	0.592
5/8-5T	5/8-5B	0.645	5/8-5B GIR	0.655
3/4-5T	3/4-5B	0.770	3/4-5B GIR	0.780

Material: Standard - Molded Acetal; **UHMW Only
 Optional - Molded "Ultra Blue" Acetal plastic with Teflon additives
 * UHMW

Flange: 1/8" **O.D.:** .881" **Length:** 1 1/2" **GIR Length:** 1 3/4"



Standard Duty Bushings



Bushing Adapters

Bushing Adapters

Part No.	Material	Body O.D.	Body Length	Flange	I.D.
SSBA 1/2x7/8	Stainless	1/2"	3/4"	1/8"	D & T 5/16-18
SSBA 9/16x1 1/4	Stainless	9/16"	1 1/8"	1/8"	D & T 5/16-18
SSBA 5/8x1 1/8	Stainless	5/8"	15/16"	3/16"	D & T 5/16-18
7/16 HEX-T	Stainless or Plastic	5/8"	1 1/8"	1/16"	7/16" Hex

Cap Screws

Part No.	Material	Length	Threaded
SSCS 5/16x3/4	Stainless	3/4"	5/16-18"



Cap Screws